

# SUBZERO-10 1500 WATTS

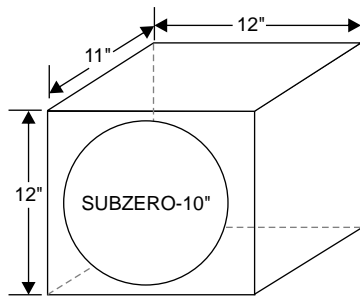
Winner of the 2004  
Design & Engineering Award

INNOVATIONS  
INTERNATIONAL CES



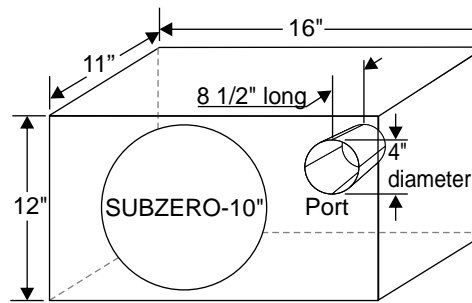
1" = 2.54 cm  
1 cubic foot = 1728 cubic inches  
Grille Clearance: 2"  
Displacement:

**#1** Sealed design for tight bass



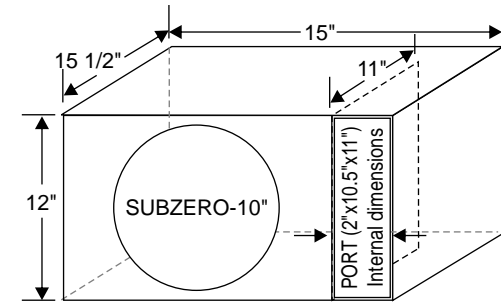
Outer dimension shown using 3/4" thick MDF  
Total outer box volume = 0.91 cubic foot.

**#2** Port tuned design for deep bass



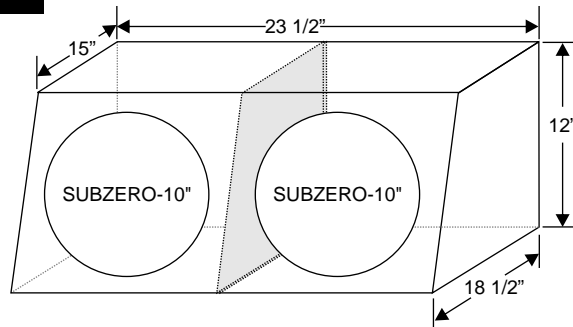
Outer dimension shown using 3/4" thick MDF.  
Total outer box volume = 1.22 cubic feet.

**#3** Ported design



Outer dimension shown using 3/4" thick MDF  
Total outer box volume = 1.61 cubic feet.

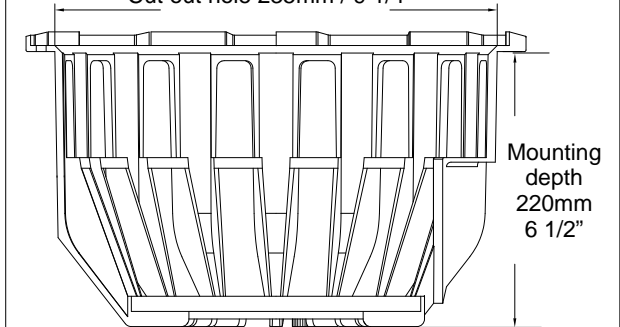
**#1** Sealed design for tight bass



Outer dimension shown using 3/4" thick MDF  
Total outer box volume = 2.73 / 1.36 per sub

## SUBZERO-10

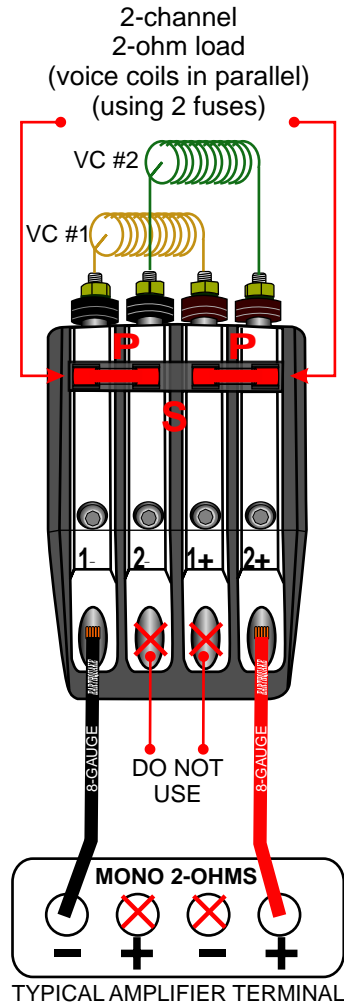
Cut out hole 235mm / 9 1/4"



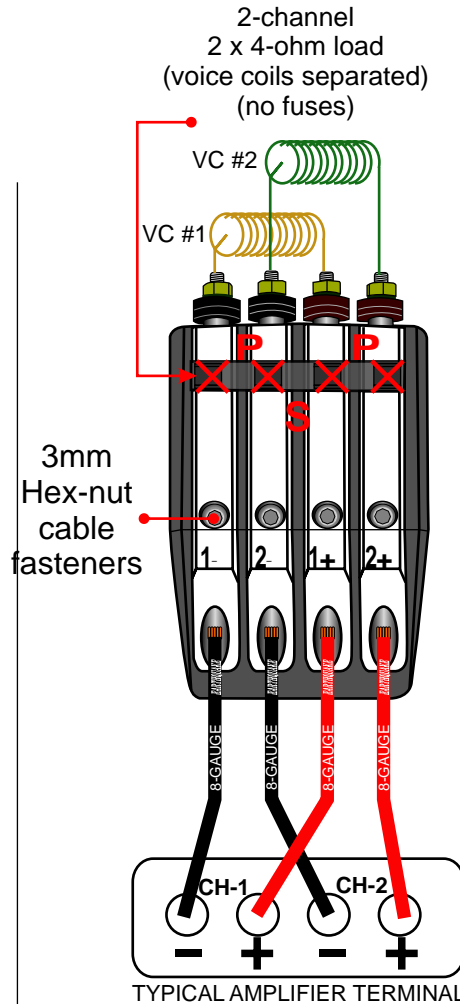
# HOW TO WIRE / FUSE YOUR SUBZERO TO AN AMPLIFIER

## PSP (Parallel Series Parallel) Terminal

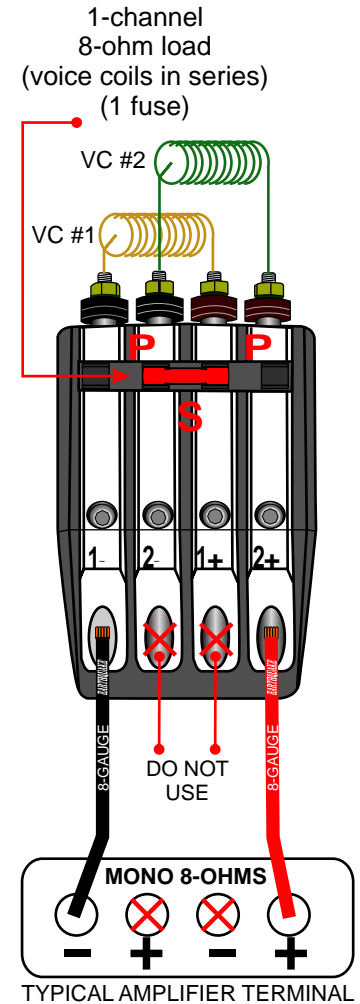
The Subzero subwoofer comes equipped with 2 voice coils (dual 2x4 ohms), it can be used in 2, 4 and 8 ohm configurations. The terminal comes equipped with fused jumpers, the voice coil can be easily configured in series or in parallel to match the amplifier in use. It is just a simple flip of a fuse, here's how it works.



The diagram -on the left side- shows the PSP terminal in a 2-ohm parallel configuration (both voice coils are connected in parallel). Simply place the 2 fuses in the outer positions in the fuse placement area. Insert the negative speaker wire to the far left insert and one positive to the far right insert.



This diagram shows the PSP terminal in a 4-ohm configuration (the two voice coils are separated). No fuses are used in this configuration, the voice coils are powered up separately.



The diagram - on the right side- displays the PSP in an 8-ohm mode. You will notice that there is only one fuse in the center of the fuse placement area. The voice coils are wired in series. Insert the negative speaker wire to the far left insert and one positive to the far right insert.

# Electro Mechanical Parameters

Name = Subzero 10 (broken in)

Note = VI MEASURMENTS

Model = TSL

Domain = FreeAir

Shape = Round

Profile = Cone

Fmd = 3.0000 KA

Qmd = 1.0000

Flp = 8.0000 KA

Qlp = 2.0000

Znom = 8.0000 Ohm

Revc = 7.7000 Ohm

Sd = 33.0000 msqM

Mmd = 152.3169 g

Pmax = 1.0000E3 W

Rtvc = 250.0000E-3 °C/W

Xgap = 500.0000E-3 In

Xcoil = 3.0000 In

Xmax = 31.7500E-3 M

Krm = 52.9380E-3 Ohm

Erm = 667.0000E-3

Kxm = 78.4200E-3 H

Exm = 685.0000E-3

Rms = 19.3984 N·S/M

Mms = 155.7620 g

Cms = 197.1628 uM/N

Vas = 1.0830 Ft<sup>3</sup>

Fo = 28.7195 Hz

Qms = 1.4489

Qes = 0.6994

Qts = 0.4717

BL = 17.5913 T·M

Levc = 4.9888 mH

SPLo = 82 dB

No = 0.0995821%