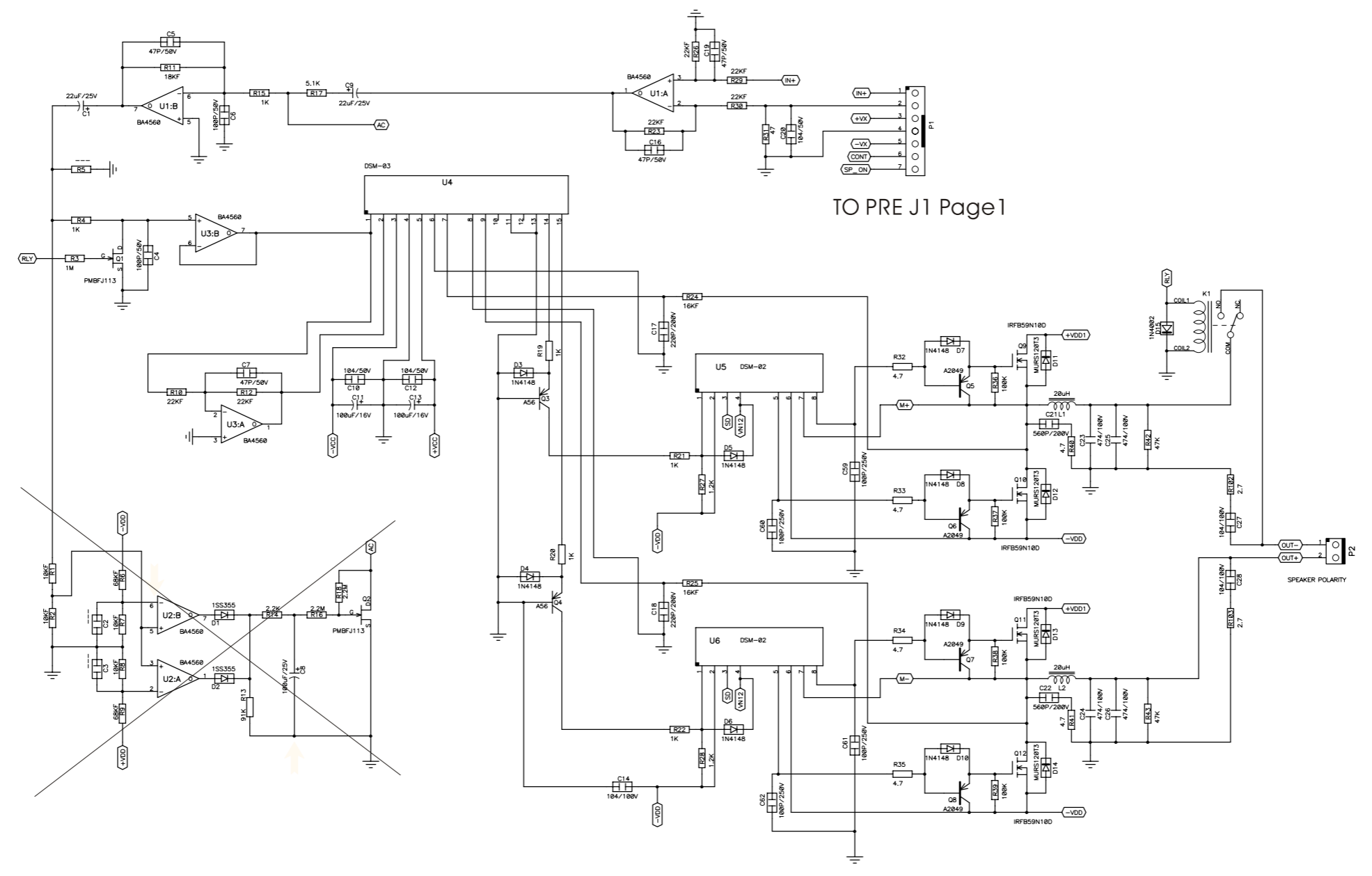


REVISIONS			
REV	DESCRIPTION	DATE	APPROVED



TO PRE J1 Page1

COMPANY: EARTHQUAKE SOUND			
TITLE: XJ-700DSP END AMP			
DWGNO:	SIZE: A4	REV: 1.0	SHEET: 1 OF 2
DRAWN:	CHECKED:	APP:	