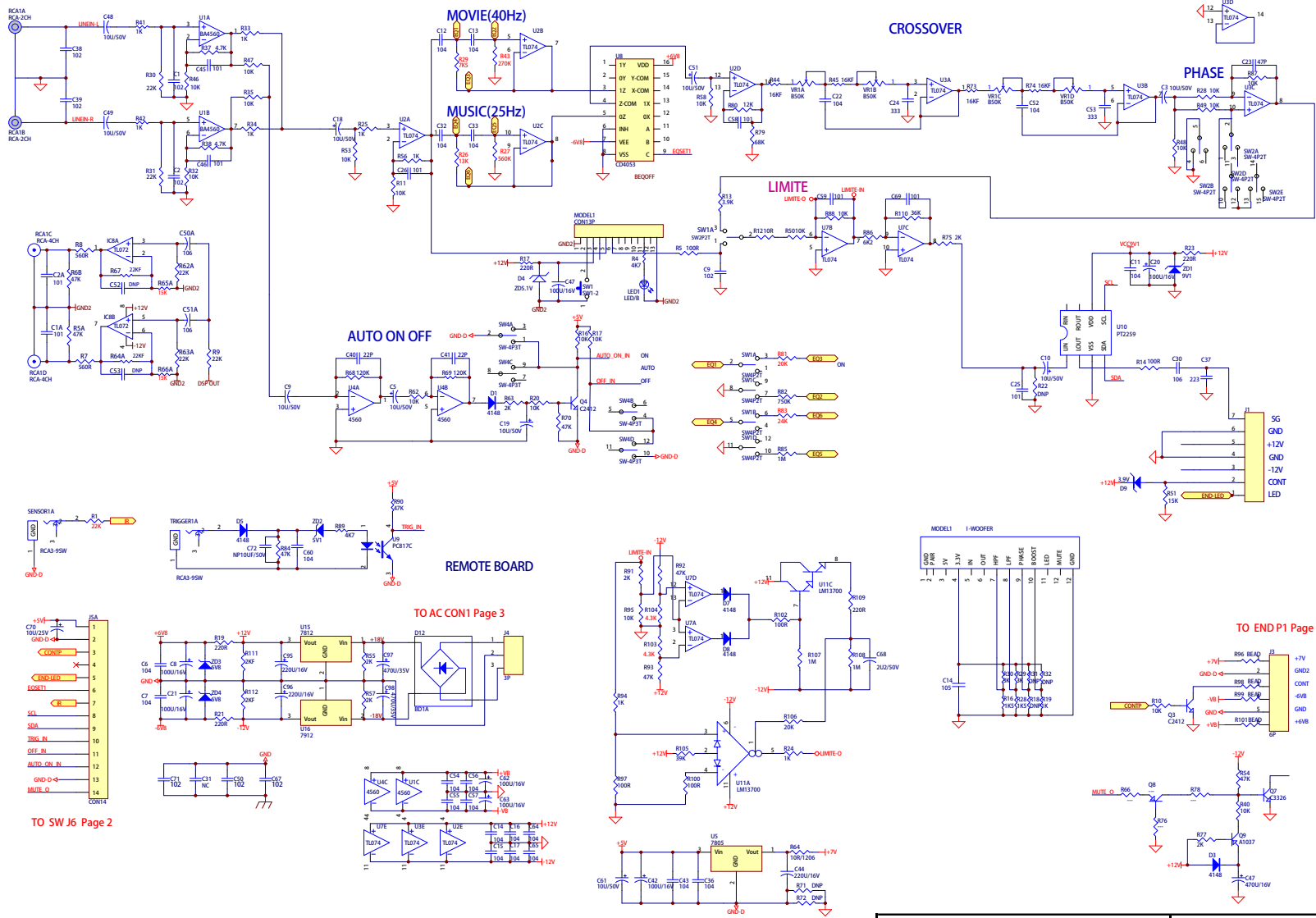


NO.	REVISION	NOTE	SIGNATURE	DATE



PRODUCT NAME: EARTHQUAKE SOUND		PART NO:	
SIZE: A4		DRAWN BY (DATE):	
REV: 1.1		CHECKED BY (DATE):	
PAGE: /1		APPROVED BY (DATE):	

XJ-700DSP PREAMP